

# VELA MOTORS VL2- SERIES

## CATALOGUE ELECTRIC MOTORS

Three phase, VL2- series Aluminium housing motors are acknowledged that having a good fame for quality and reliability, they are suitable for driving machines which do not have special requirement, such as machine tools, pumps, blowers and general purpose applications.

- Superior finish
- Externally Ventilated
- Light weight construction
- Top mounted terminal box
  - IP55 Protection
  - Interchangeable foot mounting and flange mounting
  - Motor frame Size form 56-160
  - 2,4 and 6 pole
- EFF2 efficiency class
- F thermal class

### Operating Conditions

Ambient temperature:  $-15^{\circ}\text{C} < T_{\text{amb}} < 40^{\circ}\text{C}$

Above sea level: Not exceed 1000m

Rated voltage:  $\pm 5\%$



**TECHNICAL DATA    400Vac    50HZ**

**2 POLES MOTOR**

Model	Output		Volt. (V)	Current (A)	Speed (r/min)	Eff (%)	Power factor	Tstart/Tn	Tmax/Tn	Istart/Inom (A)
	KW	HP								
VL2-561-2	0.09	0.12	230/400	0.61/0.35	2670	57	0.65	2.2	2.4	6
VL2-562-2	0.12	0.16	230/400	0.7/0.4	2730	62	0.69	2.2	2.4	6
VL2-631-2	0.18	0.25	230/400	0.96/0.55	2710	63	0.75	2.2	2.4	6
VL2-632-2	0.25	0.34	230/400	1.24/0.71	2710	65	0.78	2.2	2.4	6
VL2-711-2	0.37	0.50	230/400	1.68/0.97	2730	70	0.79	2.2	2.4	6
VL2-712-2	0.55	0.75	230/400	2.46/1.42	2760	71	0.79	2.2	2.4	6
VL2-801-2	0.75	1	230/400	3.07/1.77	2770	72	0.84	2.2	2.4	6
VL2-802-2	1.10	1.5	230/400	4.37/2.51	2770	76,2	0.83	2.2	2.4	6
VL2-90S-2	1.50	2	230/400	5.71/3.28	2840	78,5	0.84	2.2	2.4	6
VL2-90L-2	2.20	3	230/400	8.02/4.61	2840	81	0.85	2.2	2.4	6
VL2-100L-2	3.00	4	230/400	10.48/6.03	2840	82,6	0.87	2.2	2.3	6
VL2-112M-2	4.00	5.5	230/400	13.71/7.88	2880	84,2	0.87	2.2	2.3	7.5
VL2-132S 1 -2	5.50	7.5	230/400	18.31/10.53	2880	85.7	0.88	2.0	2.2	7.5
VL2-132S 2 -2	7.50	10	230/400	24.59/14.14	2920	87	0.88	2.0	2.2	7.5

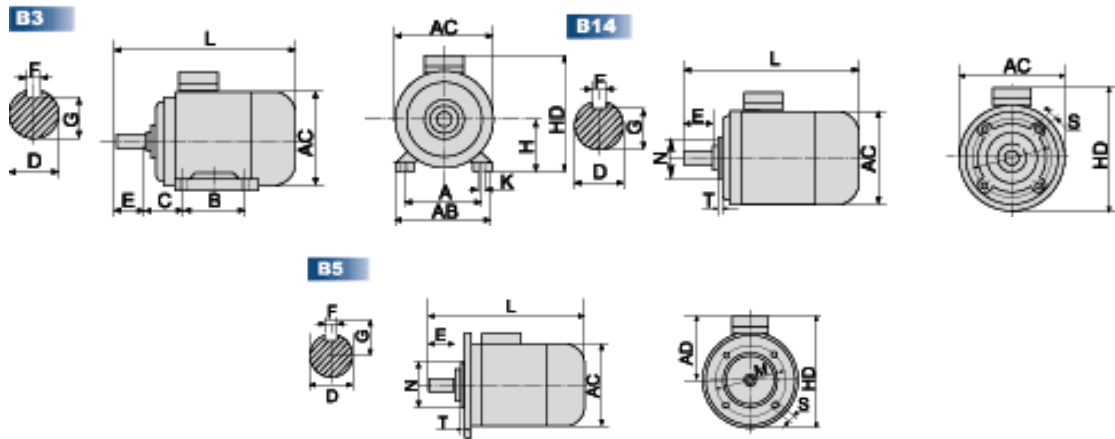
**4 POLES MOTOR**

Model	Output		Volt. (V)	Inom (A)	Speed (r/min)	Eff (%)	Power factor	Tstart/Tn	Tmax/Tn	Istart/Inom (A)
	KW	HP								
VL2-561-4	0.06	0.08	230/400	0.53/0.3	1320	48,5	0.59	2.3	2.4	6
VL2-562-4	0.09	0.12	230/400	0.74/0.43	1320	50	0.61	2.3	2.4	6
VL2-631-4	0.12	0.16	230/400	0.83/0.47	1350	57	0.64	2.2	2.4	6
VL2-632-4	0.18	0.25	230/400	1.18/0.68	1350	59	0.65	2.2	2.4	6
VL2-711-4	0.25	0.34	230/400	1.45/0.84	1350	60	0.72	2.2	2.4	6
VL2-712-4	0.37	0.50	230/400	1.93/1.1	1370	65	0.74	2.2	2.4	6
VL2-801-4	0.55	0.75	230/400	2.75/1.58	1370	67	0.75	2.2	2.4	6
VL2-802-4	0.75	1.0	230/400	3.35/1.93	1380	72	0.78	2.2	2.4	6
VL2-90S-4	1.10	1.5	230/400	4.59/2.64	1400	76.2	0.79	2.2	2.4	6
VL2-90L-4	1.50	2	230/400	6./3.45	1400	78.5	0.80	2.2	2.4	6
VL2-100L 1 -4	2.20	3	230/400	8.42/4.84	1420	81	0.81	2.2	2.3	7
VL2-100L 2 -4	3.00	4	230/400	11.26/6.47	1420	82.6	0.81	2.2	2.3	7
VL2-112M-4	4.00	5.5	230/400	14.37/8.26	1430	84.2	0.83	2.2	2.2	7
VL2-132S-4	5.50	7.5	230/400	19.18/11.03	1450	85.7	0.84	2.2	2.2	7
VL2-132M-4	7.50	10	230/400	25.46/14.64	1450	87	0.85	2.2	2.2	7

### 6 POLES MOTOR

Model	Output		Volt. (V)	Current (A)	Speed (r/min)	Eff (%)	Power factor	Tstart/Tn	Tmax/Tn	Istart/Inom (A)
	KW	HP								
VL2-711-6	0.18	0.25	230/400	1.22/0.7	880	56	0.66	1.6	1.7	4
VL2-712-6	0.25	0.33	230/400	1.52/0.87	900	59	0.69	2.1	2.2	4
VL2-801-6	0.37	0.5	230/400	2.21/1.27	890	61	0.70	1.9	1.9	4
VL2-802-6	0.55	0.75	230/400	2.86/1.65	900	67	0.72	2	2.3	4
VL2-90S-6	0.75	1	230/400	3.79/2.18	920	69	0.72	2.2	2.2	5.5
VL2-90L-6	1.10	1.5	230/400	5.25/3.02	925	72	0.73	2.2	2.2	5.5
VL2-100L-6	1.50	2	230/400	6.7/3.85	945	74	0.76	2.2	2.2	6
VL2-112M-6	2.20	3	230/400	9.32/5.36	955	78	0.76	2.2	2.2	6
VL2-132S-6	3.00	4	230/400	12.54/7.21	960	79	0.76	2.0	2.0	6.5
VL2-132M 1 -6	4.00	5.5	230/400	16,41/9.44	960	80,5	0.76	2.0	2.0	6.5
VL2-132M 2 -6	5.50	7.5	230/400	21.6/12.42	960	83	0.77	2.0	2.0	6.5

### SIDE AND DIMENSIONS



Frame No	Installation Size									Installation Size For B14					Installation Size For B5					Overall Dimension				
	A	B	C	D	E	F	G	H	K	M	N	P	S	T	M	N	P	S	T	AB	AC	AD	HD	L
56	90	71	36	9	20	3	7.2	56	6	65	50	80	M5	2	100	80	120	8.5	3	112	111	93	149	197
63	100	80	40	11	23	4	8.5	63	7	75	60	90	M5	2.5	115	95	140	10	3	120	126	100	160	221
71	112	90	45	14	30	5	11	71	7	85	70	105	M6	2.5	130	110	160	10	3.5	132	144	107	175	254
80	125	100	50	19	40	6	16	80	10	100	80	120	M6	3	165	130	200	12	3.5	158	162	127	193	293
90S	140	100	56	24	50	8	20	90	10	115	95	140	M8	3	165	130	200	12	3.5	179	179	133	213	316
90L	140	125	56	24	50	8	20	90	10	115	95	140	M8	3	165	130	200	12	3.5	179	179	133	213	344
100L	160	140	63	28	60	8	24	100	12	130	110	160	M8	3.5	215	180	250	15	4	202	201	148	257	386
112M	190	140	70	28	60	8	24	112	12	130	110	160	M8	3.5	215	180	250	15	4	226	225	166	275	399
132S	216	140	89	38	80	10	33	132	12	165	130	200	M10	3.5	265	230	300	15	4	265	265	186	315	459
132M	216	178	89	38	80	10	33	132	12	165	130	200	M10	3.5	265	230	300	15	4	265	265	186	315	598